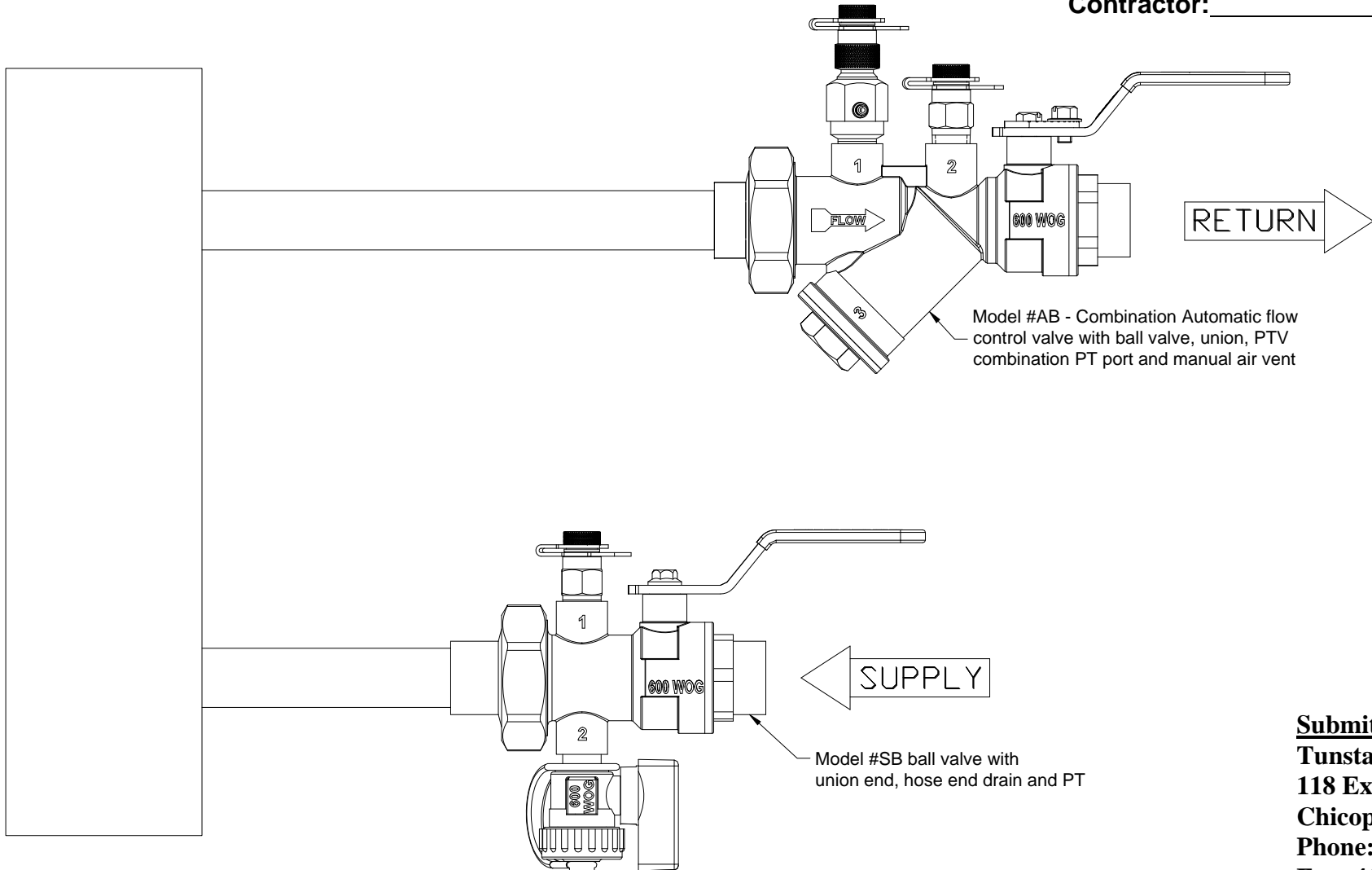


# Valve Package (Model # XXD-AB)

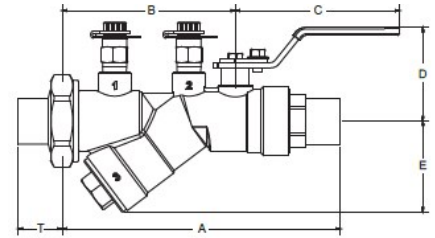
Typical For:

Job Name: \_\_\_\_\_  
 Location: \_\_\_\_\_  
 Engineer: \_\_\_\_\_  
 Contractor: \_\_\_\_\_



**Submitted By:**  
**Tunstall Corporation**  
 118 Exchange Street  
 Chicopee, MA 01013  
 Phone: 413-594-8695  
 Fax: 413-598-8109

Model AB Automatic Balancing Valve is a combination ball valve, automatic flow control device and union. The removable flow cartridge is factory set to automatically limit the GPM to within +5% of the specified flow. The ball valve has a chrome plated ball, Teflon seats and a blowout proof stem with double EPDM O-ring seals. The union has an EPDM O-ring seal and tailpiece available in MNPT, FNPT, and SWT end connections. Standard features include Memory Stop and Dual Pressure / Temperature Ports.



AUTOMATIC

SPECIFICATIONS	
Pressure Ratings:	600 PSI (4140 kPa)
Temperature Ratings:	250°F (121°C)
Accuracy:	± 5% of flow rate
Body Material:	Forged Brass
End Connections:	Brass - Fixed End: SWT, FNPT & Press-End Union End: SWT, FNPT, MNPT & Press-End
Flow Cartridge: 1/2" to 1-1/2" 2"	Ultrason <sup>®</sup> Composite Stainless Steel
Seals:	EPDM
Ball:	Chrome Plated Brass, full port, 100% positive shut off. <i>Optional 316 Stainless Steel.</i>
Stem:	Brass. <i>Optional 316 Stainless Steel.</i>
Handle:	Full size Zinc Plated lever w/Vinyl Grip
Available Options:	"PTV" combination PT & Air Vent, DV hose end Drain Valve & Extensions.

**NOMINAL DIMENSIONS & WEIGHTS**

MODEL	SIZE			A		B	C	D	E	*T SWT	Flow Range	WEIGHT	
	in	mm		FNPT	SWT							lbs	kg
AB1e-050	0.50"	15	in	5.28	5.64	3.59	1.97	1.61	1.91	0.83	0.35 to 5.0 GPM	1.78	0.81
			mm	134.10	143.30	91.20	50.10	40.90	48.50	21.08			
AB1e-075	0.75"	20	in	5.41	5.92	3.59	1.97	1.61	1.91	0.98		1.83	0.83
			mm	137.40	150.40	91.20	50.10	40.90	48.50	24.89			
AB1e-100	1.00"	25	in	5.75	6.21	3.59	1.97	1.61	1.91	0.92		1.97	0.89
			mm	146.10	157.70	91.20	50.10	40.90	48.50	23.37			
AB2e-050	0.50"	15	in	5.71	5.95	3.86	3.66	2.08	2.02	0.83	0.35 to 10.0 GPM	2.09	0.95
			mm	145.16	151.16	98.04	92.99	52.83	51.33	21.08			
AB2e-075	0.75"	20	in	5.74	6.20	3.86	3.66	2.08	2.02	0.88		2.09	0.95
			mm	146.02	157.48	98.04	92.99	52.83	51.33	22.35			
AB2e-100	1.00"	25	in	5.96	6.36	3.86	3.66	2.08	2.02	0.92		5.05	2.29
			mm	151.51	161.54	98.04	92.99	52.83	51.33	23.37			
AB2e-125	1.25"	32	in	6.14	6.69	3.86	3.66	2.08	2.02	1.43	5.05	2.29	
			mm	155.96	169.93	98.04	92.99	52.83	51.33	36.32			
AB3-100	1.00"	25	in	6.98	7.18	5.38	5.03	2.44	3.61	1.41	5.0 to 21.0 GPM	5.05	2.29
			mm	177.29	182.37	136.65	127.76	61.98	91.69	35.81			
AB3-125	1.25"	32	in	7.06	7.24	5.38	5.03	2.44	3.61	1.43		5.17	2.35
			mm	179.32	183.90	136.65	127.76	61.98	91.69	36.32			
AB3-150	1.50"	40	in	7.06	7.37	5.38	5.03	2.44	3.61	1.17		5.17	2.35
			mm	179.32	187.20	136.65	127.76	61.98	91.69	29.72			
AB4-150	1.50"	40	in	9.59	9.91	7.44	5.66	2.83	3.91	1.17	11.0 to 70.0 GPM	8.63	3.91
			mm	249.60	251.70	189.00	143.60	71.90	99.50	29.72			
AB4-200	2.00"	50	in	9.59	10.35	7.44	5.66	2.83	3.92	1.50	8.65	3.92	
			mm	249.60	262.89	189.00	143.60	71.90	99.57	38.10			

\* Please reference the tailpiece data sheet #Bulletin-MB-TP for other sizes and connections.  
**Dimensions not for construction purposes unless certified by factory.**



Optional features and accessories available for this Macon product are an extra charge, and not included in the standard model price.  
www.maconbalancing.com



Tunstall Corporation  
118 Exchange Street · Chicopee, MA 01013  
Phone (413) 594-8695 · Fax (413) 598-8109  
Section: Components Bulletin-MB-AB-0915.02

## Selection Chart - Model AB - 0.50" to 2.00"

### STANDARD COMPONENTS

	<b>PT</b>	Pressure/Temperature test port with brass body, dual durometer EPDM core, threaded brass cap with O-ring seal and neoprene retainer strap. Accepts standard 1/8" (4mm) gauge adapter or thermometer stem. Rated to 500 PSI (3450 kPa) and 275°F (135°C)
	<b>MS</b>	Memory stop with position indicator, zinc coated steel.

Please reference data sheet #Bulletin-MB-Accessories for optional accessories.

AUTOMATIC

### Model AB Automatic Balancing Valve 0.50" - 2.00"

Flow GPM	2-32 PSID				Flow GPM	2-32 PSID	
	AB1e-	AB2e-	AB3-	AB4-		AB3-	AB4-
	050 075 100	050 075 100 125	100 125 150	150 200		100 125 150	150 200
0.35	x	x			16.00	x	x
0.50	x	x			17.00	x	x
0.66	x	x			18.00	x	x
0.75	x	x			19.00	x	x
0.88	x	x			20.00	x	x
1.00	x	x			21.00	x	x
1.10	x	x			22.00		x
1.30	x	x			24.00		x
1.50	x	x			26.00		x
1.75	x	x			28.00		x
2.00	x	x			30.00		x
2.20	x	x			32.00		x
2.50	x	x			34.00		x
2.65	x	x			36.00		x
3.00	x	x			38.00		x
3.50	x	x			40.00		x
4.00	x	x			42.00		x
4.50	x	x			44.00		x
5.00	x	x	x		45.00		x
6.00		x	x		48.00		x
7.00		x	x		50.00		x
8.00		x	x		52.00		x
9.00		x	x		5 - 60 PSID		
10.00		x	x		54.00		x
11.00			x	x	56.00		x
12.00			x	x	58.00		x
13.00			x	x	60.00		x
14.00			x	x	62.00		x
15.00			x	x	64.00		x
16.00*			x	x	66.00		x
					68.00		x
					70.00		x

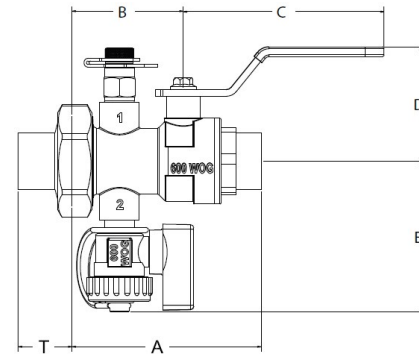
\* AB3 and AB4 Flow GPM continues at top of last two columns.  
NOTE: Lower flows can be used w/adaptor in larger sizes.

Optional features and accessories available for this Macon product are an extra charge, and not included in the standard model price.  
www.maconbalancing.com



Tunstall Corporation  
118 Exchange Street · Chicopee, MA 01013  
Phone (413) 594-8695 · Fax (413) 598-8109  
Section: Components      Bulletin-MB-AB-0915.02

Model SB Union End Ball Valve offers positive shut-off, pressure/temperature measurement and drain. The ball valve has a chrome plated ball with Teflon seats, blowout proof stem with double EPDM O-ring seals. The union has an EPDM O-ring seal and tailpiece available in MNPT, FNPT, SWT and Press End connections. Standard features include Pressure/Temperature Port and Hose End Drain Valve.



SPECIFICATIONS	
Pressure Ratings:	600 PSI (4140 kPa)
Temperature Ratings:	250°F (121°C)
Body Material:	Forged Brass
End Connections:	Brass - Fixed End: SWT, FNPT & Press End Union End: SWT, FNPT, MNPT & Press End
Seals:	EPDM
Ball:	Chrome Plated Brass, full port, 100% positive shut-off. <i>Optional 316 Stainless Steel.</i>
Stem:	Brass. <i>Optional 316 Stainless Steel.</i>
Handle:	Full size Zinc Plated lever with Vinyl Grip
Available Options:	"PTV" combination PT & Air Vent

NOMINAL DIMENSIONS & WEIGHTS												
MODEL	SIZE		A		B	C	D	E	*T MPT	WEIGHT		
	in	mm	FNPT	SWT						lbs	kg	
SB1E-050	0.50"	15	in	3.72	4.08	2.03	3.66	1.61	2.53	1.50	1.51	0.68
			mm	94.5	103.6	51.6	93.0	40.9	64.3	38.1		
SB1E-075	0.75" R	20	in	3.84	4.37	2.03	3.66	1.61	2.53	1.50	1.55	0.70
			mm	97.5	111.0	51.6	93.0	40.9	64.3	38.1		
SB2E-075	0.75"	20	in	3.92	4.49	2.03	3.66	2.08	2.74	1.56	1.58	0.72
			mm	99.6	114.0	51.6	93.0	52.8	69.6	39.7		
SBBE-100	1.00"	25	in	4.13	4.53	2.03	3.66	2.08	2.74	1.75	2.06	0.93
			mm	105.0	115.1	51.6	93.0	52.8	69.6	44.5		
SB3-125	1.25"	32	in	5.42	6.41	2.37	5.03	2.26	3.12	1.80	4.33	1.96
			mm	137.7	162.8	60.3	127.8	57.4	79.3	45.7		
SB3-150	1.50"	40	in	5.42	6.67	2.52	5.65	2.26	3.12	1.80	4.48	2.03
			mm	137.7	169.3	64.0	143.6	57.4	79.3	45.7		
SB4-200	2.00"	50	in	5.03	5.82	2.90	5.66	2.83	3.51	1.98	6.04	2.74
			mm	127.8	148.8	73.7	143.8	71.9	89.2	50.2		

**SHUT OFF VALVES**

\* Please reference the tailpiece data sheet #Bulletin-MB-TP for other sizes and connections.

**Dimensions not for construction purposes unless certified by factory.**

**STANDARD COMPONENTS**

	<b>PT</b>	Pressure/Temperature test port with brass body, dual durometer EPDM core, threaded brass cap with O-ring seal and neoprene retainer strap. Accepts standard 1/8" (4mm) gauge adapter or thermometer stem. Rated to 500 PSI (3450 kPa) and 275°F (135°C)
	<b>DV</b>	Drain valve with forged brass body, chrome plated ball, Teflon seats, double EPDM O-ring stem seals, aluminum handle, 3/4" hose connection with cap and plastic retainer strap. Rated to 600 PSI (4140 kPa) WOG and 250°F (121°C)

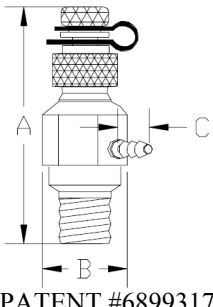
Please reference data sheet #Bulletin-MB-Accessories for optional accessories.

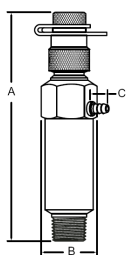
Optional features and accessories available for this Macon product are an extra charge, and not included in the standard model price.

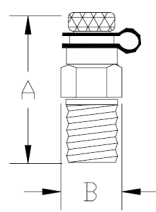
www.maconbalancing.com

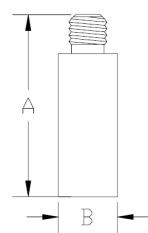


Tunstall Corporation  
118 Exchange Street · Chicopee, MA 01013  
Phone (413) 594-8695 · Fax (413) 598-8109  
Section: Components      Bulletin-MB-SB-0915.02

PTV - PRESSURE / TEMPERATURE VENT									
 <p>PATENT #6899317</p>	Combination manual air vent and pressure/temperature test port with brass body, dual durometer EPDM core, blowout-proof stem, side discharge vent with 1/8" (4mm) hose barb, threaded brass cap with O-ring seal and neoprene retainer strap. Accepts standard 1/8" (4mm) gauge adapter or thermometer stem. Rated to 250 PSI (1725 kPa) and 250°F (120°C).								
	MODEL	NPT CONN		A	B	C	WRENCH SIZE	WEIGHT	
								lbs	kg
	PTV-025	1/4"	in	1.50	0.84	0.32	3/4"	0.154	0.07
		mm	40	21	9				
PTV-050	1/2"	in	1.50	0.98	0.32	3/4"	0.225	0.10	
		mm	0.98	25	9				

EPTV - EXTENDED PRESSURE / TEMPERATURE VENT									
	Extended combination manual air vent and pressure/temperature test port with brass body, dual durometer EPDM core, blowout-proof stem, side discharge vent with 1/8" (4mm) hose barb, threaded brass cap with O-ring seal and neoprene retainer strap. Accepts standard 1/8" (4mm) gauge adapter or thermometer stem. Rated to 250 PSI (1725 kPa) and 250°F (120°C).								
	MODEL	NPT CONN		A	B	C	WRENCH SIZE	WEIGHT	
								lbs	kg
	EPTV-025	1/4"	in	3.60	0.87	0.31	3/4"	0.28	0.12
mm			91	21	8				

PT - PRESSURE / TEMPERATURE PORT								
	Pressure/Temperature test port with brass body, dual durometer EPDM core, brass cap with O-ring seal and neoprene retainer strap. Accepts standard 1/8" (4mm) gauge adapter or thermometer stem. Rated to 500 PSI (3450 kPa) and 275°F (135°C).							
	MODEL	NPT CONN		A	B	WRENCH SIZE	WEIGHT	
							lbs	kg
	PT-025	1/4"	in	1.36	0.65	9/16"	0.06	0.03
mm			34	16				
PT-050	1/2"	in	1.36	1.01	7/8"	0.18	0.08	
		mm	34	25				

PTE - PTV / PT EXTENDER						
	Single and Dual Extender for PTV and PT models, used on insulated piping systems or where extended length is desired. The PTE is installed above the PTV or PT core with an O-ring seal. The PTE can be installed in the field without removing the PTV or PT from the piping system. Brass body with EPDM O-ring seal. Rated to 500 PSI (3450 kPa) and 250 ° F (120 ° C).					
	MODEL		A	B	WEIGHT	
					lbs	kg
	PTE-025 One	in	1.59	0.54	0.90	0.04
mm		41	14			
PTE-025 Two	in	1.59	0.54	0.90	0.04	
	mm	41	14			

Optional features and accessories available for this Macon product are an extra charge, and not included in the standard model price.

www.maconbalancing.com



Tunstall Corporation  
 118 Exchange Street · Chicopee, MA 01013  
 Phone (413) 594-8695 · Fax (413) 598-8109  
 Section: *Components*      Bulletin-MB-Accessories-0915

ACCESSORIES